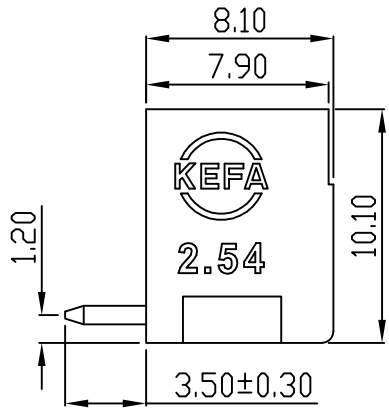
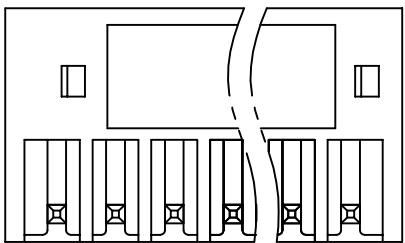
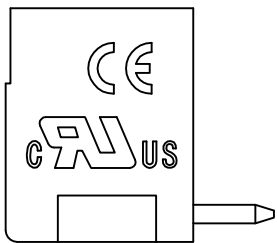
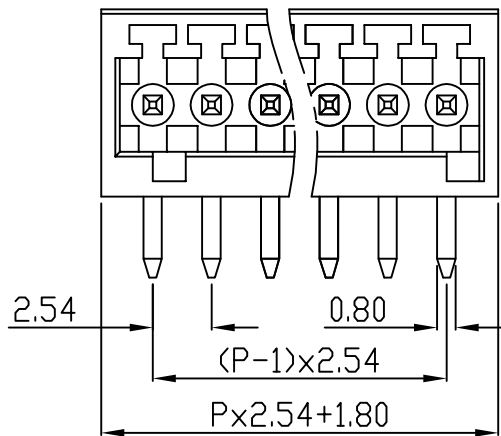
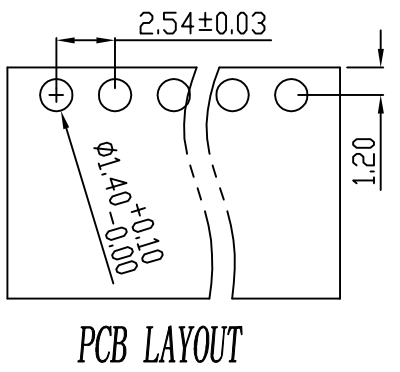


linear dimension(Tolerances Standard GB/T 14486-2008)								— ▯ ⊥		
variable range	to	over 6	over 10	over 30	over 60	over 100	over 160	to	over 10	over 100
	6	to 10	to 30	to 60	to 100	to 160	to 10		to 100	to
tolerance	±0.20	±0.30	±0.50	±0.70	±1.00	±1.30	±1.60	0.10	0.30	0.60



REVISION RECORD				
REV.	DESCRIPTION	ECN No.	APPROVED	DATE
A	新发行		CLF	21.03.13

UL/CUL 技术参数 UL/CUL Technical Data			
等级 Use Group		B	C D
额定电压 Rated Voltage [V]		125	- 150
额定电流 Rated Current [A]		4	- 5
接线范围 Wire Range			
单/多芯线 Solid/Stranded [AWG]		-	
耐电压 Withstanding Voltage		1250V/1Min	
IEC 技术参数 IEC Technical Data			
过电压类别 Overvoltage Category		III	III II
污染等级 Contamination Class		3	2 2
额定电压 Rated Voltage [V]		-	160 200
额定电流 Rated Current [A]		-	5 5
额定冲击电压 Impulse withstand voltage ^a [KV]		-	2.5 2.5
导线截面积 Conductor cross section			
硬质/柔性导线 Solid/flexible [mm ²]		-	
材料 Material			
绝缘材料 Insulation Material		PA66	
阻燃等级 Imflammability		UL94V-0	
导体材料 Contactor Material		铜合金 Copper alloy	
导体表面镀层 Contactive Coating		镀锡 Tin Plated	
一般参数 Other Data			
间距 Pitch [mm]		2.54	
极数 Poles [P]		02-24	
剥线长度 Stripping Length [mm]		-	
螺丝 Screw/扭矩 Torque(Max) [N.m]		-	
工作温度 Operating temperatur [°C]		-40~+105	
引针尺寸 Pin Dimensions [mm]		3.5	
PCB板孔径 PCB Hole Diameter [mm]		1.4	

DES.	GYF	DATE	21.03.13	单位/UNITS	mm	尺寸/SIZE	A4	比例/SCALE	1:1	第三视角/THIRD ANGLE PROJECTION	版本/REV	A
CHK.	SY	DATE	21.03.13	慈溪市科发电子有限公司 CIXI KEFA ELECTRONIC CO., LTD				名称/TITLE	KF2EDGR-2.54			
APP.	CLF	DATE	21.03.13									